

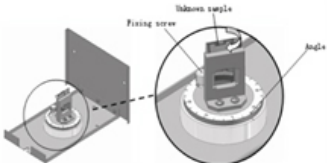
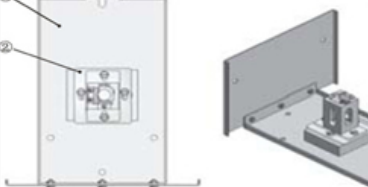
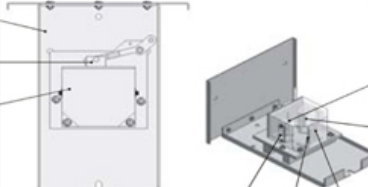
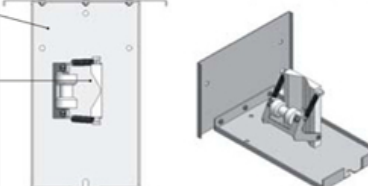
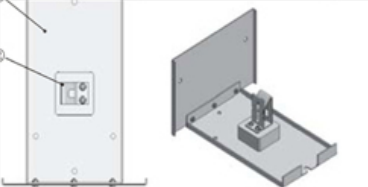
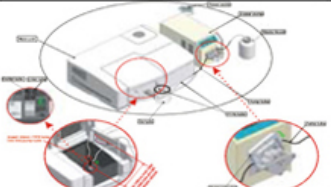

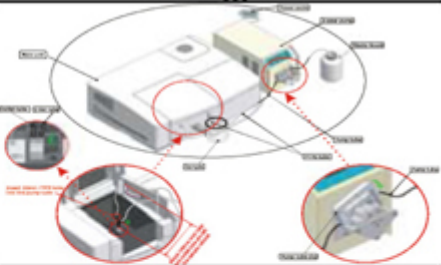


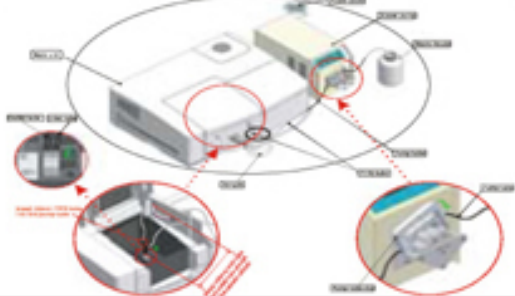

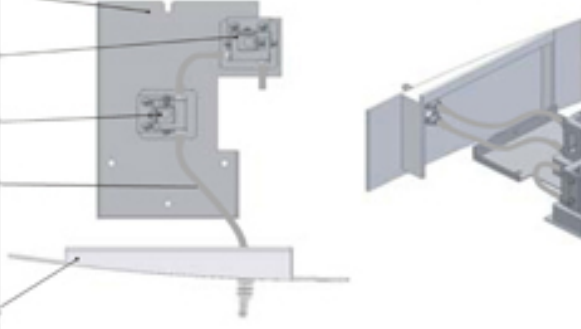



OPTIONAL ITEMS FOR 2700 & 2800 ACCESSORIES

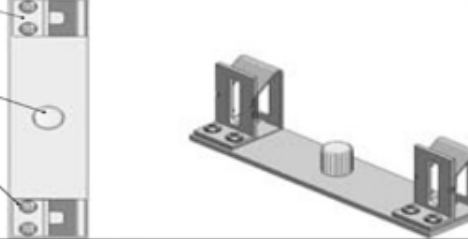
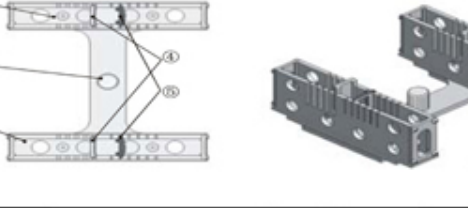
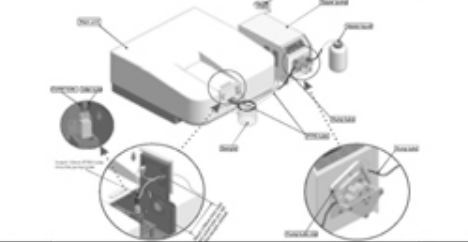
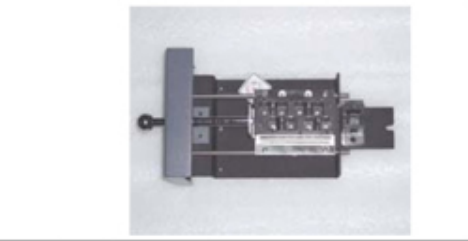
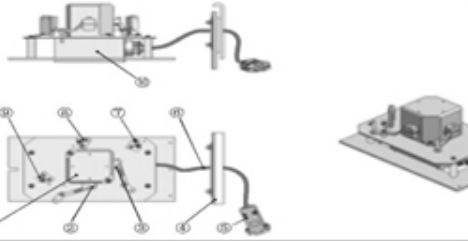

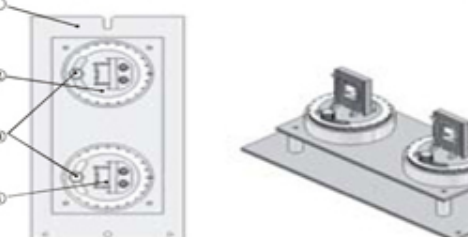
Description	Part Number	Image
Universal 5 Position 5-50mm Path Length Motorised Cell Holder	5C-7700	
5 Position 10mm Constant Temperature Cell Changer	5CT-2700	
Adjustable Angle Solid Sample Holder	AA-2700	
Micro Cell Holder	MC-2700	
Specular Reflection Accessory	SR-2700	
Variable 13-16mm Test Tube Holder	VT-13-16-2700	
Solid Sample Holder	SSH-2700	
Sipper Pump Accessory	SP-2700	
Peltier System	PS-2700	

<p>Sipper Pump Accessory</p>	<p>SP-2700</p>	
<p>Peltier System</p>	<p>PS-2700</p>	

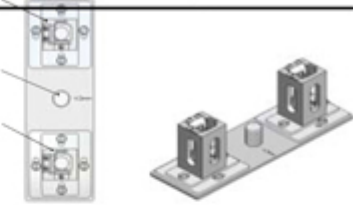
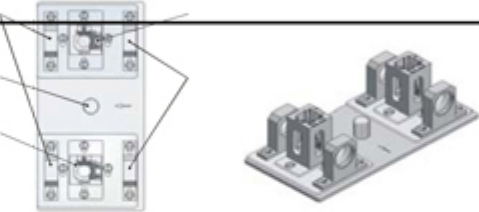
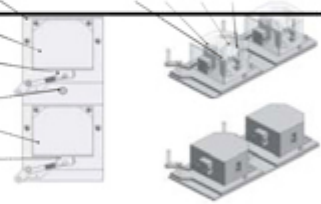
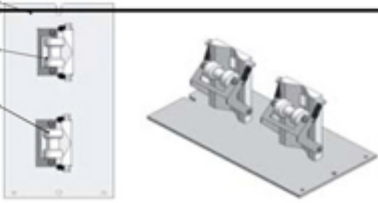
OPTIONAL ITEMS FOR 2950 & 2960 & 3000 & 3200 Accessories

Description	Part Number	Image
Peltier System	PS-2950	
Sipper Pump Accessory	SP-2950	
Universal 5 Position 5-50mm Path Length Motorised Cell Holder	UP-2950	
2 Position 10mm Constant Temperature Cell Holder	CT2-2950	
Universal 5 Position 5-50mm Path Length Cell Holder	CT5-2950	

OPTIONAL ITEMS FOR 3500 Accessories

Description	Part Number	Image
Solid Sample Holder	SSH-3500	
Universal 5-100mm Path Length Cell Holder (Sample and Reference)	U5-3500	
Sipper Pump Accessory	SP-3500	
Manual 8 Position Cell Holder (Fixed Reference)	MP-3500	
Integrating Sphere	IS-3500	
Fixed Position 10mm Constant Temperature Cell Holder	FP-3500	
Adjustable Angle Solid Sample Holder	AAS-3500	

OPTIONAL ITEMS FOR 3500 Accessories

Description	Part Number	
Micro Cell Holder	MC-3500	 <p>Technical drawings and 3D model of the Micro Cell Holder (MC-3500). The drawings show a front view with two circular ports and a 3D perspective view of the component on a PCB.</p>
Ultra Micro Cell Holder	MM-3500	 <p>Technical drawings and 3D model of the Ultra Micro Cell Holder (MM-3500). The drawings show a front view with two circular ports and a 3D perspective view of the component on a PCB.</p>
Specula Reflectance Accessory	SR-3500	 <p>Technical drawings and 3D model of the Specula Reflectance Accessory (SR-3500). The drawings show a front view with two circular ports and a 3D perspective view of the component on a PCB.</p>
Variable 13-16mm Test Tube Holder	VT-3500	 <p>Technical drawings and 3D model of the Variable 13-16mm Test Tube Holder (VT-3500). The drawings show a front view with two circular ports and a 3D perspective view of the component on a PCB.</p>