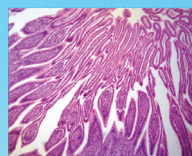




LABOMED, INC.



LC-21 6.0M/ICX694AQG(C) 1" (14.6x12.8) USB3.0 CMOS Digital Camera

LC-21 6.0M/ICX694AQG(C) 1" (14.6x12.8) USB3.0 CMOS Digital Camera adopt Sony ExView HAD CCD sensor as the image capture device. Sony ExView HAD CCD is a CCD that drastically improves light efficiency by including near infrared light region as a basic structure of HAD (Hole-Accumulation-Diode) sensor. USB3.0 is used as the data transfer interface.

LC-21 6.0M/ICX694AQG(C) 1" (14.6x12.8) USB3.0 CMOS Digital Camera's hardware resolutions is 6M and come with the integrated CNC aluminum alloy compact housing.

LC-21 6.0M/ICX694AQG(C) 1" (14.6x12.8) USB3.0 CMOS Digital Camera come with advanced video & image processing application ImageView; Providing Windows/Linux/ OS X multiple platforms SDK; Native C/C++, C#/VB.NET, DirectShow, Twain Control API.



LABOMED, INC.

APPLICATION

The **LC-21 6.0M/ICX694AQG(C) 1" (14.6x12.8) USB3.0 CMOS Digital Camera** can be widely used in bright field, dark field, fluorescent light environment and microscope image capture and analysis with higher frame rate.

FEATURES

The **LC-21 6.0M/ICX694AQG(C) 1" (14.6x12.8) USB3.0 CMOS Digital Camera's** characteristic is as follows:

1. Standard C-Mount camera with SONY ExView HAD CCD II sensor 6M;
2. IR-CUT Coated Windows;
3. Up to 1 hour long time exposure;
4. USB3.0 5Gbit/second interface ensuring high speed data transmission;
5. Ultra-Fine™ color engine with perfect color reproduction capability;
6. With advanced video & image processing application ImageView;
7. Providing Windows/Linux/Mac OS multiple platforms SDK;
8. Native C/C++, C#/VB.NET, DirectShow, Twain Control API.





LABOMED, INC.

SPECIFICATION

Model	LC-21
Sensor & Size(mm)	6.0M/ICX694AQG(Color) 1" (14.6x12.8)
Pixel Size(μ m)	4.54x4.54
G Sensitivity	880mv with 1/30s
Dark Signal	8mv with 1/30s
FPS/Resolution	7.5@2748x2200 14@2748x1092
Binning	1x1
Exposure	0.06ms~1000s
Other Specification	
Spectral Range	380-650nm (with IR-cut Filter)
White Balance	ROI White Balance/ Manual Temp Tint Adjustment/NA for Monochromatic Sensor
Color Technique	Ultra-Fine TM Color Engine/NA for Monochromatic Sensor
Capture/Control API	Native C/C++ , C# /VB.Net, DirectShow, Twain
Recording System	Still Picture and Movie
Cooling System	Natural
Operating Environment	
Operating Temperature(in Centidegree)	-10~ 50
Storage Temperature(in Centidegree)	-20~ 60
Operating Humidity	30~80%RH
Storage Humidity	10~60%RH
Power Supply	DC 5V over PC USB Port
Software Environment	
Operating System	Microsoft® Windows® XP / Vista / 7 / 8 / 10 (32 & 64 bit) OSx(Mac OS X) Linux
PC Requirements	CPU: Equal to Intel Core2 2.8GHz or Higher Memory: 2GB or More

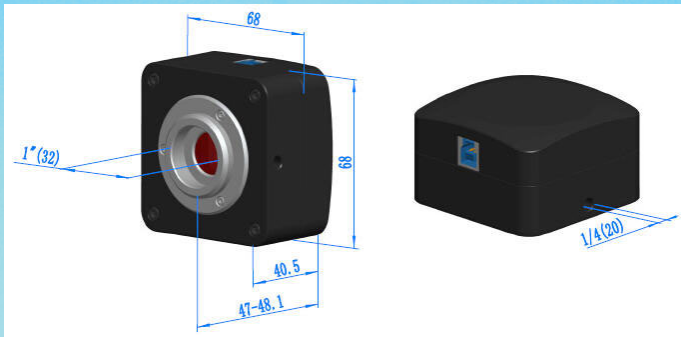


LABOMED, INC.

USB Port: USB3.0 High-speed Port
Display: 17" or Larger
CD-ROM

DIMENSION

The **LC-21 6.0M/ICX694AQG(C) 1" (14.6x12.8) USB3.0 CMOS Digital Camera** body, made from tough, CNC aluminum alloy, ensures a heavy duty, workhorse solution. The camera is designed with a high quality IR-CUT to protect the camera sensor. No moving parts included. These measures ensure a rugged, robust solution with an increased lifespan when compared to other industrial camera solutions.





LABOMED, INC.

PACKING INFORMATION



Standard Camera Packing List

- A Carton L:52cm W:32cm H:33cm (20pcs, 12~17Kg/ carton), not shown in the photo
- B Gift box L:15cm W:15cm H:10cm (0.7~0.75Kg/ box)
- C LC-21 USB3.0 C-mount CMOS camera
- D High-speed USB3.0 A male to B male gold-plated connectors cable /2.0m
- E CD (Driver & utilities software, Ø12cm)

Optional Accessory

- F Adjustable lens adapter C-mount to Dia.23.2mm eyepiece tube
(Please choose 1 of them for your microscope)
- G Fixed lens Adapter C-mount to Dia.23.2mm eyepiece tube
(Please choose 1 of them for your microscope)

Note: For F and G optional items, please specify your camera type(C-mount,



LABOMED, INC.

microscope camera) , engineer will help you to determine the right microscope camera adapter for your application.

- H 108015(Dia.23.2mm to 30.0mm Ring)/Adapter rings for 30mm eyepiece tube
- I 108016(Dia.23.2mm to 30.5mm Ring)/ Adapter rings for 30.5mm eyepiece tube
- J 108017(Dia.23.2mm to 31.75mm Ring)/ Adapter rings for 31.75mm eyepiece tube
- K Calibration kit 106011/TS-M1(X=0.01mm/100Div.);
106012/TS-M2(X,Y=0.01mm/100Div.);
106013/TS-M7(X=0.01mm/100Div., 0.10mm/100Div.)