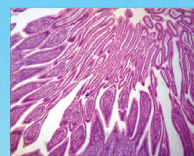




LABOMED, INC.



LB-277 Trinocular Biological Microscope with Infinite Optical System, Wide Field, Infinite Plan Achromatic Objectives (4x, 10x, 20x, 40x, 100x)

LB-277 Trinocular Biological Microscope with Infinite Optical System, Wide Field, Infinite Plan Achromatic Objectives (4x, 10x, 20x, 40x, 100x) is high level microscopes which is specially designed for college education, medical and laboratory study. It adopts an infinite optical system, beautiful structure and ergonomic design. With an innovative optical and structure design, excellent optical performance and easy to operate system, these biological microscopes make your work enjoyable.

APPLICATION

LB-277 Trinocular Binocular Microscope with Infinite Optical System, Wide Field, Infinite Plan Achromatic Objectives (4x, 10x, 20x, 40x, 100x) is an ideal instrument in biological, histological, pathological, bacteriology, immunizations and pharmacy field and can be widely

Labomed, Inc. • 2728 S La Cienega Blvd. Los Angeles, CA 90034 U.S.A. • 1(310) 202-0811 • spectro@labomed.com • www.labomed.com



LABOMED, INC.

used in medical and sanitary institutes, such as hospitals, clinics, academic laboratories, colleges and universities.

LB-277 Trinocular Biological Microscope with Infinite Optical System, Wide Field, Infinite Plan Achromatic Objectives (4x, 10x, 20x, 40x, 100x)

FEATURES

1. Excellent infinite optical system with high resolution and perfect definition.
2. Wide field $10\times/\Phi 22\text{mm}$ eyepiece, more comfortable for observation.
3. 100X water objective is available for convenient viewing.
4. Trinocular head with light distribution 100:0 (100% for eyepiece) and 80:20(80% for trinocular head and 20% for eyepiece).
5. Rackless stage is safer than traditional stage.





LABOMED, INC.

6. Various accessories for upgrading.

(1) Quintuple turret phase contrast unit with 10X/20X/40X/100X infinite plan phase contrast objective for phase contrast and bright field observation.



(2) N.A.0.9/0.13 Swing-out Condenser
Dark field condenser (dry) available to 4X-40X Objective
Dark field condenser (oil) available to 100X Objective



(3) Infinite Plan Objectives





LABOMED, INC.

(4) Mercury and LED fluorescent attachment with six-holes disk fluorescence unit, More fluorescence filters can be supplied.



5) Simple polarizing unit with polarizer and analyzer.





LABOMED, INC.

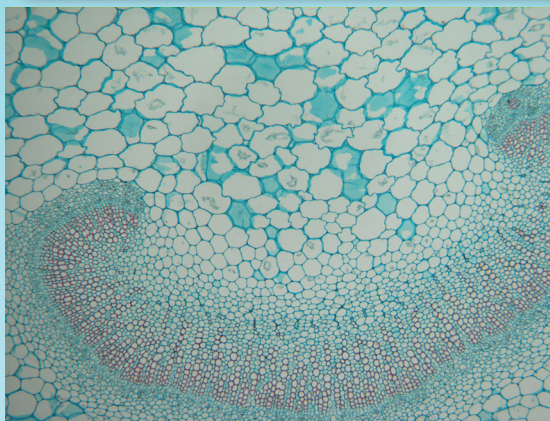
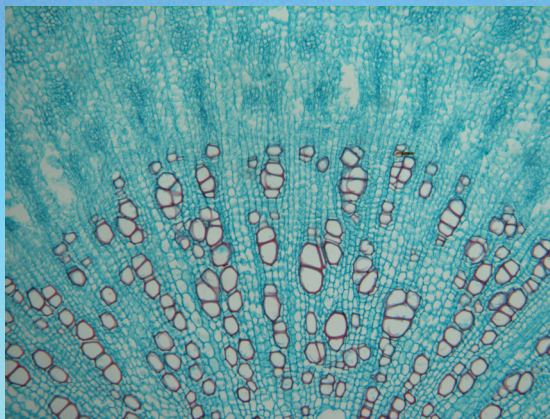
SPECIFICATION

Item	LB-277
Optical System	Color Corrected Infinite Optical System
Viewing Head	Seidentopf Trinocular Head, Inclined 30°, Rotatable 360°, Interpupillary Distance: 48-76mm, Light distribution (both): 100: 0 (100% for eyepiece) 80:20(80% for trinocular head and 20% for eyepiece)
Eyepiece	WF10×/22mm (Diopter adjustable), tube diameter: 30mm
Infinite Plan	Achromatic Objective 4×/0.10, W.D.=12.10mm 10×/0.25, W.D.=4.64mm 20×/0.40(S), W.D.=2.41mm 40×/0.65 (S), W.D.=0.65mm 100×/1.25(S, Oil), W.D.=0.12mm
Nosepiece	Backward Quintuple Nosepiece
Stage	Rackless Double Layers Mechanical stage, Size: 182mm×140mm, Travel Range: 77mm×52mm, Scale: 0.1mm, Two Slide Holder
Condenser	Swing out condenser N.A.0.9/0.13, with iris diaphragm
Focusing	Coaxial Coarse and Fine Focusing Knob, Coarse Focusing Travel Range: 25mm, Coarse Stroke 42.4mm/rotation, Fine Stroke 0.2mm/Rotation, Fine division: 2μm
Koehler Illumination	6V/30W Halogen Lamp with Field Diaphragm, Brightness Adjustable
Video Adapter	0.5× C-mount (focus adjustable, used for microscope camera)
Filter	Blue
Power Supply	Wide voltage input: 100V~240V
Packing	1 carton/set, Packing Size: 565mm × 310mm × 410mm, Gross Weight: 12 kgs, Net Weight: 10 kgs



LABOMED, INC.

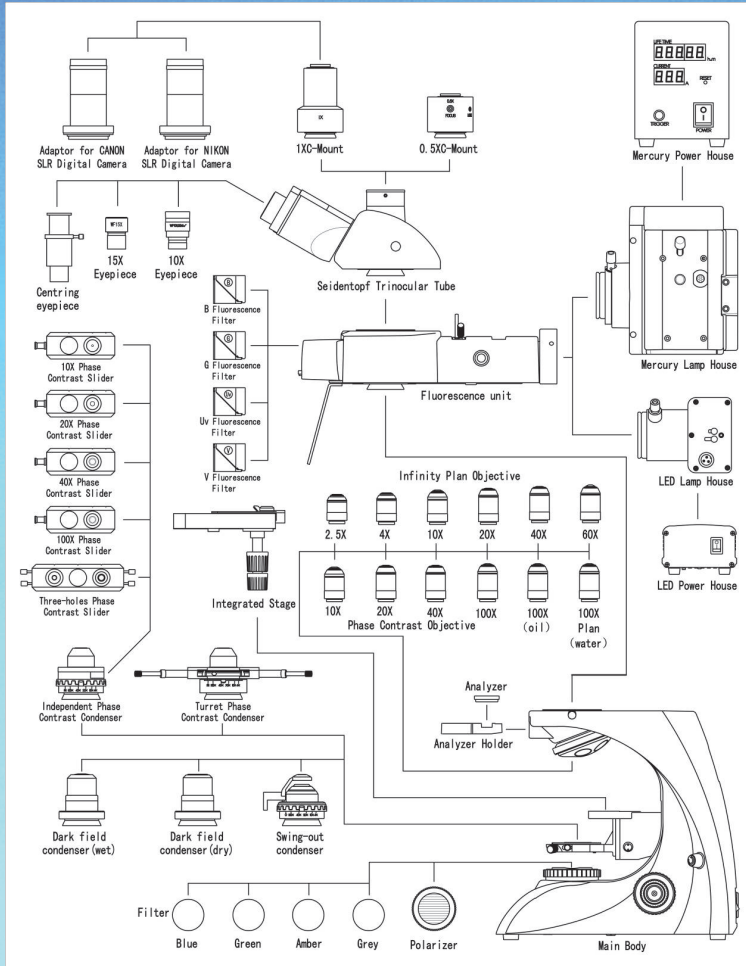
SAMPLE IMAGES





LABOMED, INC.

SYSTEM DIAGRAM





LABOMED, INC.

DIMENSION

