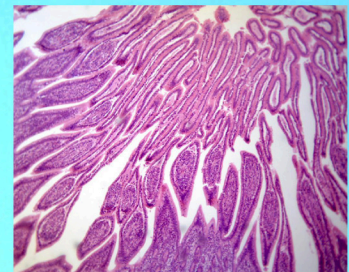




LABOMED, INC.

www.labomed.com
spectro@labomed.com



LB-236 Binocular Digital Microscope with Camera

High resolution, real-time image display by 1.3 Mega Pixel CMOS digital camera connecting to PC through USB2.0.

Sharpe Image with Semi-plan Achromatic Objectives.

Easy to replace lamp.

High sensitive camera can be used for optional attachments such as dark field, phase contrast, epi-fluorescence and so on.

Professional and powerful micro-image process and analysis software.



LABOMED, INC.

www.labomed.com
spectro@labomed.com

LB-236 Binocular Digital Microscope with Camera and Software (1.3MP)

Introduction

LB-236 Biological Digital Microscope with Camera. This is a digital biological microscope with camera that features an ingenious stand, sharp image, comfortable operation and high-resolution camera, which can make your work much more enjoyable. It is widely used in the biological, pathological, bacterial, histological, immune, pharmacological and genetic fields. It is suitably used in hospitals, clinics, medical academies, morphology and related research centers.

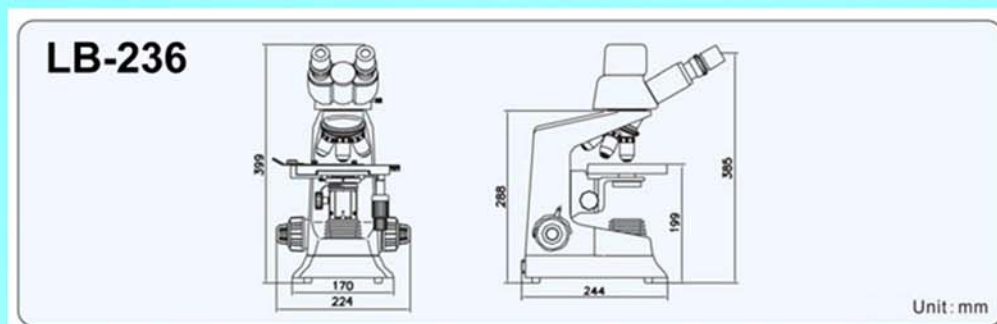
Applications

It is widely used in biological, pathological, bacterial, histological, immune, pharmacological and genetic fields. It is suitably used in hospitals, clinics, medical academies, morphology and related research centers.

Specifications

Digital System:	1.3MP CMOS digital camera with high-resolution, 1280×1024, USB2.0 output
Viewing Head:	Seidentopf type Binocular Head at 30°, Interpupillary Distance 55-75mm
Eyepiece:	Wide Field EW10/20
Nosepiece:	Backward Quadruple Nosepiece
Objective:	Semi-plan Achromatic Objective 4×, 10×, 40×, 100×
Condenser:	NA1.25 Abbe Condenser with iris diaphragm and filter, rack & pinion adjustment
Stage:	Double Layers Mechanical Stage 140×140mm/ 75×50mm
Illumination:	LED Illumination, Brightness Adjustable Halogen Lamp 6V/20W (optional), Brightness Adjustable, Kohler (optional)
Filter:	Blue and Green Filter
Software:	ScopelImage 9.0

Dimensions





LABOMED, INC.

www.labomed.com
spectro@labomed.com

LB-236 Binocular Digital Microscope with Camera

ScopelImage 9.0

Color Database

Measure Function

Multiple Image Process

ScopelImage Advanced Software

Measure Function

Multiple Image Process

ScopelImage Analysis Software

Areal Histology Analyze

Cell Stat and Analysis

Color Image and Words Pathology Report

Sample Analysis Report

Image and Words Report Making

Image Analysis Report